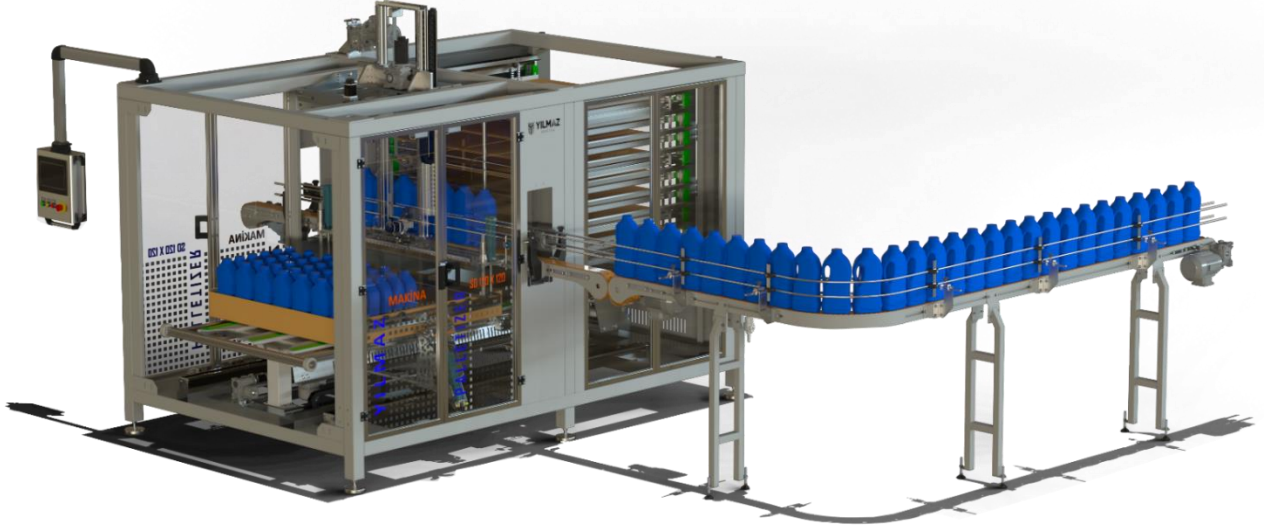
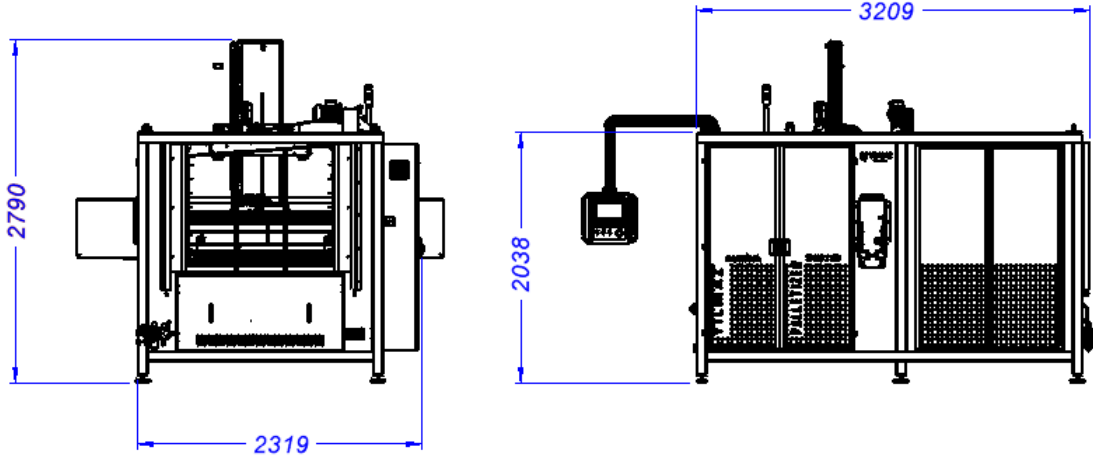


Bottle Palletizer

TECHNICAL SPECIFICATIONS

Machine Width	:	2319 mm
Machine Length	:	3200 mm
Machine Height	:	2790 mm
Line Speed	:	9 cycle
Energy	:	380 V
Total Power	:	19 kVA
Air Supply	:	6 bar
Machine Weight	:	1300 kg
Package Dimensions (min)	:	50mm x 80mm x h200mm
Package Dimensions (max)	:	140mm x190mm x h350mm
Package Weight (max)	:	200gr
Carton Size (max)	:	120cm x120cm x15cm
Operator Display	:	10" Color Touch Screen
Memory	:	1000 receipe
Machine Material	:	St37-AISI 304 stainless steel body
Industry / Sectors	:	Packaging industry / Bottle & Can

** All specifications and feature can be determined upon customer request*

Bottle Palletizer**FEATURES**

- CE certification
- Servo controlled work points
- User-friendly operator panel
- Ability to open folded cardboard
- Easy size change with different size
- Stacking on pallet. Max. 7 rows
- Body structure ST 37 electrostatic painted
- Simple and compact design that provides easy assembly-disassembly, cleaning standards
- YILMAZ MAKİNA Warranty on technical support and spare parts