

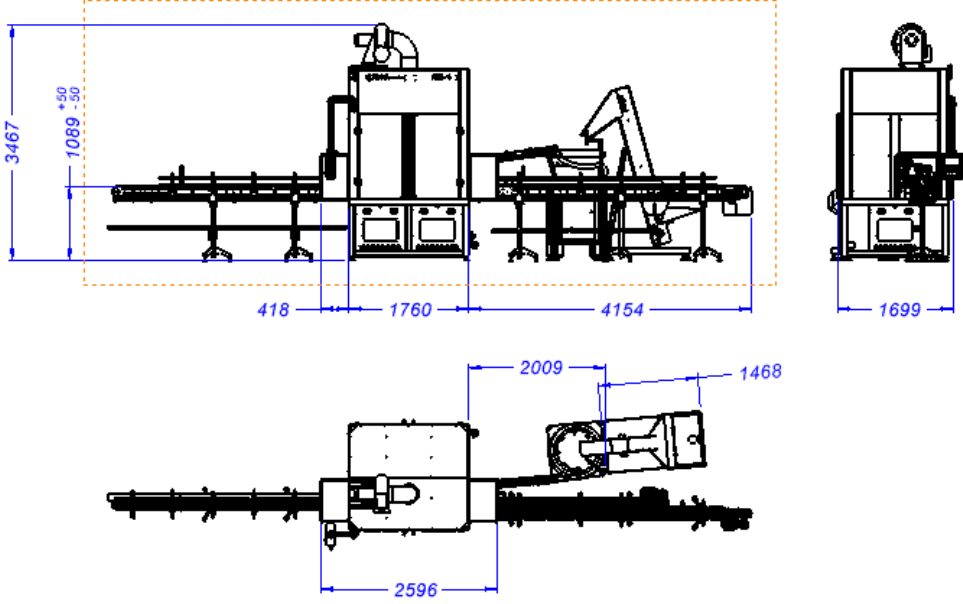
Bottle Capper Machine



TECHNICAL SPECIFICATIONS

Machine Width	:	1700 mm
Machine Length	:	1760 mm
Machine Height	:	3467 mm
Line Speed	:	80 pcs/min
Energy	:	380 VAC
Total Power	:	7 kVA
Air Supply	:	6 bar
Machine Weight	:	1758 kg
Package Dimensions (min)	:	50mm x 80mm x h200mm
Package Dimensions (max)	:	140mm x190mm x h350mm
Package Weight (max)	:	200gr
Number of Cap Tightening Heads	:	4 pcs
Operator Display	:	10" High Color Touch Screen
Memory	:	1000 recipe
Machine Material	:	AISI 304 stainless steel body
Industry / Sectors	:	Liquid bottling

** All specifications and feature can be determined upon customer request*

Bottle Capper Machine

FEATURES

- CE certification
- Drainage line
- Servo controlled capping heads
- Cover tightening torque control setting
- User-friendly operator panel
- Flexible bottle range.
- Easy size change with different size
- Fresh air circulation inside the machine
- Maximum sensitivity for target volume
- Bottom filling feature for foaming products
- Body structure AISI 304 stainless steel
- Long-lasting design where all wear points are reinforced
- Touchpoints of product has stainless steel 316 or titanium options according to the product's corrosiveness values
- Simple and compact design that provides easy assembly-disassembly, cleaning standards
- Halar coated floor, titanium tank and collector options
- YILMAZ MAKİNA Warranty on technical support and spare parts