

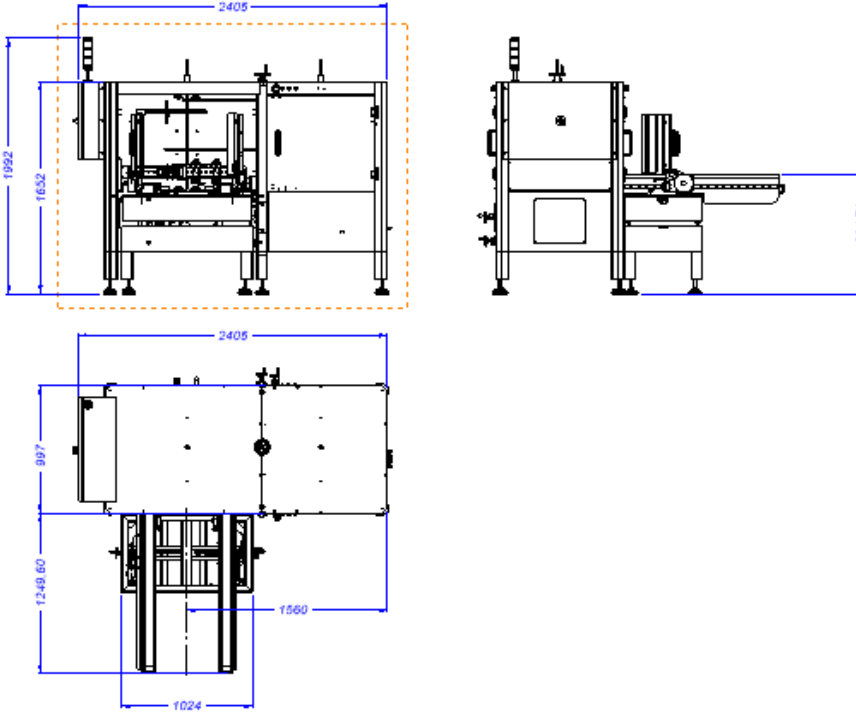
Case Erector



TECHNICAL SPECIFICATIONS

Machine Width	:	2247 mm
Machine Length	:	2405 mm
Machine Height	:	1992 mm
Speed	:	16 pcs/min
Energy	:	380 V
Total Power	:	4 kVA
Machine Weight	:	600 kg
Package Dimensions (min)	:	L 200mm x W 150mm x C 150mm
Package Dimensions (max)	:	L 500mm x W 350mm x C 600mm
Magazine infeed Capacity	:	200 Cases (approximate)
Machine Material	:	Material St 37 Electrostatic powder painted
Tape Head	:	50mm 2" -75mm 3"
Air Supply	:	6 Bar
Industry / Sectors	:	All

* All specifications and feature can be determined upon customer request

Case Erector**FEATURES**

- CE certification
- Simple and compact design
- Easy and quick size change
- Can be integrated into all production lines
- User-friendly operator panel
- Easy size change with different size
- YILMAZ MAKİNA Warranty on technical support and spare parts