

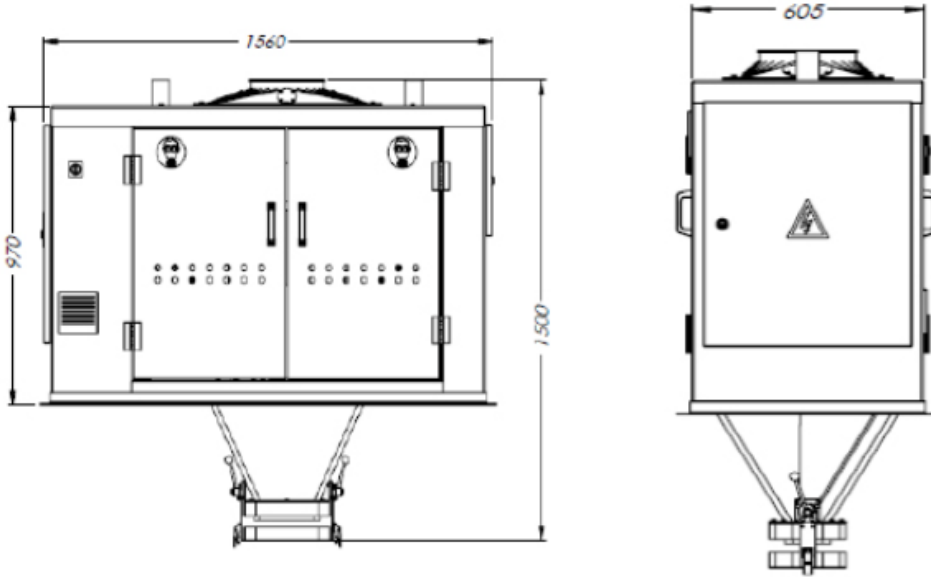

TECHNICAL SPECIFICATIONS

Machine Width	:	605 mm
Machine Length	:	1560 mm
Machine Height	:	1500 mm
Working Air Pressure	:	4 bar
Energy	:	380 V / 400 V
Power	:	4 kW
Machine Weight	:	520 kg
Dosing Scale	:	500 - 7500 gr
Dosing Accuracy**	:	± 5 gr
Pan Volume	:	13 lt
Number Of Pans	:	2 pcs
Product Flow Control	:	Servo Controlled Feed Bucket
Weight Control	:	High Speed Load Cell Control
Operator Display***	:	7" multi-touch (color) Omron (standard)
Machine Material	:	Product contact points AISI 304 stainless steel / Chassis and Body Structure St 37-St 52 and Electrostatic Painted

* All specifications and feature can be determined upon customer request

** Values are determined for detergents

*** 10" multi-touch (color) Omron is used when delivered with packaging machine



FEATURES

- CE certified
- Fully automatic
- Long-lasting design
- Simple and compact design enables easy assembly / disassembly / cleaning
- Dust-free, clean production standards with suction points in the main body
- High-precision, real-time dosing with servomotor-controlled product flow system
- Motion control and reporting database in automation system
- Lubricant-free pneumatic instruments
- Hygienic design with stainless material
- Maximum energy efficiency with low air and electricity consumption
- New generation PLC and professional control software
- High-speed control cards for dosing systems
- Multi-function, user-friendly operator panel
- Manual test page allowing manual positioning of working parts
- Single scale / double scale filling options
- Suitable for integration with all kind of packaging machines by using reduction connections