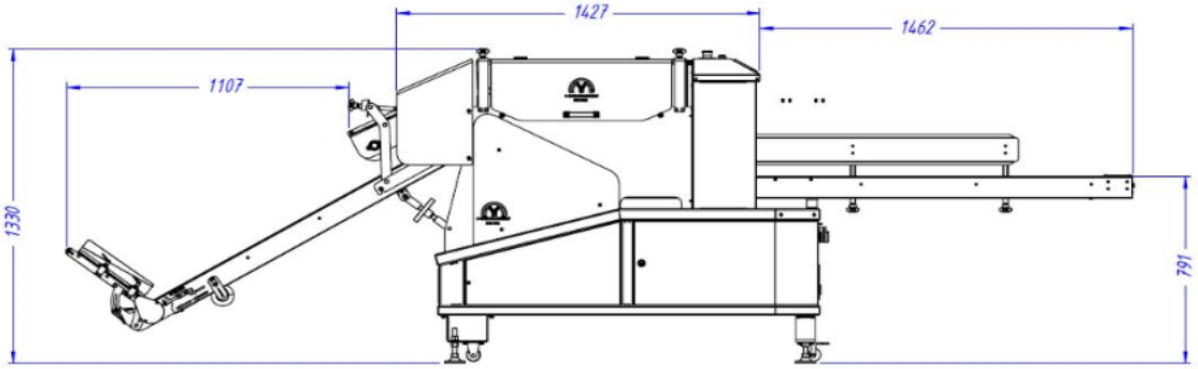

**TECHNICAL SPECIFICATIONS**

<b>Machine Width</b>	:	500mm
<b>Machine Length</b>	:	3400mm
<b>Machine Height</b>	:	1400mm
<b>Line Speed</b>	:	110 pcs/min
<b>Energy</b>	:	400 V
<b>Total Power</b>	:	0.75 kW
<b>Machine Weight</b>	:	250 kg
<b>Engine Power</b>	:	2 kW
<b>Package Dimensions (min)</b>	:	70 x 150mm
<b>Package Dimensions (max)</b>	:	230 x 450 mm
<b>Package Weight (max)</b>	:	200 gr
<b>Operator Display</b>	4.3" High Resolution Color Touch Screen	
<b>Memory</b>	1000 products	
<b>Machine Material</b>	AISI 304 stainless steel body	
<b>Industry / Sectors</b>	:	Pudding, Soup, Chips, etc.

*\* All specifications and feature can be determined upon customer request*



## FEATURES

- CE certification
- Compact and hygienic design
- Complying with food production regulations
- Can be integrated into all production lines
- High speed grouping
- Easy and quick size change
- Adjustable conveyor angle and height
- Easy to use operation menus