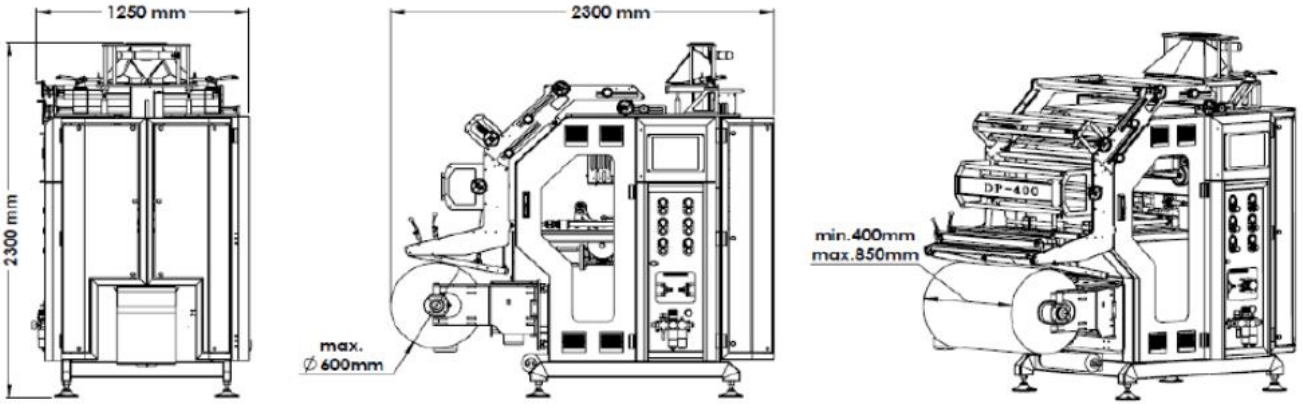


TECHNICAL SPECIFICATIONS


Machine Width	:	1250 mm
Machine Length	:	2300 mm
Machine Height	:	2300 mm
Air Pressure	:	6 bar
Energy	:	400 V
Power	:	14 kW
Machine Weight	:	1500 kg
Film Types	:	OPP, CPP - PET, AL. - PE Other Laminated Films
Packaging Speed (max)	:	50 pcs/min
Reel Outer Diameter (max)	:	600 mm
Reel Inner Diameter	:	80 mm
Reel Width (max)	:	850 mm
Horizontal Jaw Opening (max)	:	160 mm
Film Pulling Pallet Distance (min)	:	90 mm
Film Pulling Pallet Distance (max)	:	290 mm
Horizontal Jaw Sealing Length	:	400 mm
Vertical Jaw Sealing Length	:	770 mm
Package Length (max)	:	760 mm
Package Width (max)	:	380 mm
Operator Display	:	10" multi-touch (color) Omron (standard)
Machine Material	:	Product contact points AISI 304 stainless steel Chassis and Body Structure St 37-St 52 and Electrostatic Painted

** All specifications and feature can be determined upon customer request*



FEATURES

- CE certified
- Fully automatic
- Suitable for working with HDPE+LDPE laminated PE derivative materials
- Simple design enabling easy maintenance
- Multi-function, user-friendly operator panel
- PLC based automation software
- Motion control and reporting database in automation system
- Accessibility via Internet with Ethernet connection port
- Servomotor-controlled horizontal jaw and film pulling system
- Easy, fast and ergonomic form tube change
- Easy, fast and ergonomic interchangeable jaw system
- Suitable to operate with or without photocell
- Maintenance-free, long-lasting vertical & horizontal jaws with tube resistance
- Lubricant-free pneumatic instruments and design
- Visual & mechanical centering points & centering registry database enabling min downtime & higher efficiency in product changes (reel, size, product ...)
- Manual test page allowing manual positioning of working parts
- Perforation system for air evacuation within the bag
- Lift system enabling transfer to conveyor system
- Horizontal & vertical jaws with adjustable pressure-sensitivity
- Film centering system tolerating possible film shifts
- Auto-stop feature at the end of film
- PID controlled heating system for precise temperature setting of the jaw
- PID controlled asynchronous motor film feeding system for sensitive film tension
- Electronically controlled reel tightening system to eliminate need for pneumatic shaft
- High speed reel change with new film adding apparatus (max 2 min)
- Mechanical structure enabling integration with all kinds of coding device